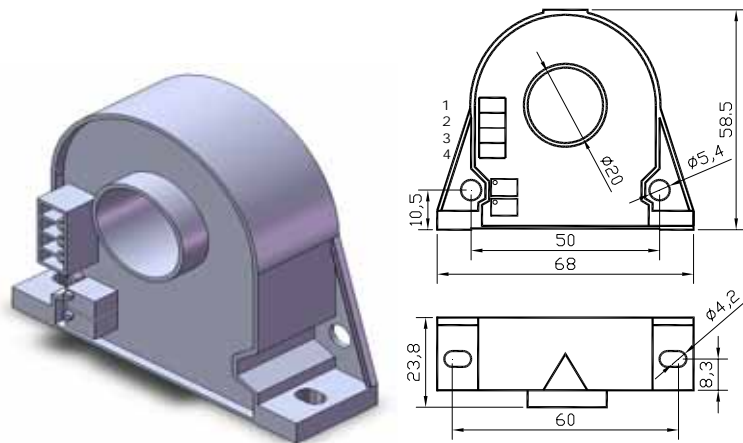




## MS-TJIB100 Alternating Current Transmitter

### Product Introduction:

Alternating current transmitter is a that, has been measured alternatng current transfer to measurement module of output direct current or direct voltage in term of linearity proportion, high precision degree, high linearity degree, high integration degree, little cubage, simple configuration, tranquilization of long-term work and suit in variety of work environment.



### Definition of connection end

End 1: current input	End 5: power supply anode
End 2: empty terminal	End 6: power supply cathode
End 3: empty terminal	End 7: output of signal anode
End 4: current input	End 8: input of signal cathode

### Major Application:

Comprehensive application for control and measure of electricity equipment system of electric power, petroleum, coal mine, chemical, smelt, railway, communications, building, etc.

- Accuracy measurement of alternating current
- Response time quickly
- Standard signal output
- Excellent linearity degree of full-extent
- Strong ability of over loading
- Installation of DIN path or orientation

### Product Description:

Product type: MS-TJIB

Rating Measurement: AC0-30A (45-65Hz)

北京铭晟嘉业电子科技有限公司

电话：010-84505057 / 84505776

传真：010-84505019

电子邮件：[SMI@bjefe.com](mailto:SMI@bjefe.com)

Beijing EFE Electronic Technology Co., Ltd

Tel: 010-84505057 / 84505776

Fax: 010-84505019

网址：[www.bjefe.com](http://www.bjefe.com)

**北京铭晟嘉业电子科技有限公司**  
**Beijing EFE Electronic Technology CO., LTD**

---

Mode of measurement:  $\Phi$ 20mm measurement of perforation style

Rating output: A : DC0-10V ; B : DC0-5V  
C : DC0-20mA ; D : DC4-20mA  
E : user-defined

Power supply: P1 : DC15...24V (  $\pm$  15% )  
P2 : DC12V (  $\pm$  10% )  
P3 : DC48V (  $\pm$  15% )  
P4 : user-defined

***Current Reference:***

Measurement range: AC0-150A

Measurement Accuracy: 0.5%

Linearity Accuracy: 0.2%

Response Time:  $t_r$  300ms

Over loading ability: 10 times rating 60 second

Ability of cincture record: voltage output:  $R_L$  5K $\Omega$   
current output:  $R_L$  300 $\Omega$

Width of narrowband: DC...20KHz

Compression resistance of work frequency: input/output/crust AC2.5KV ; 1mA /min

Isolation intensity: 20M $\Omega$  ( DC500V )

Power use of whole machine: 1.2VA ( power supplyDC24V )

Execution standard: GB/T13850-1998idt IEC688 : 1992

***General Reference:***

Mode of connection: lead connection of plug end

Work temperature: ( -10...+50 )

Work humidity: ( 10-90% ) non-coagulation

Memory temperature: ( -40...+70 )

Material of crust: accord with UL94-V0

***Notice Proceeding:***

Lead must be correct connection between power supply, input and output, location or connection can not error, otherwise maybe induce product dilapidation.

Arrowhead direction is current direction of anode, installation of product, use entironment should non-electric atomy and causticity, altitude should under 2500 meters.

Should contact with factory first, before adjustment product potentiometer, please do not optional adjustment by user, exquisite shake or high temperature be likely to induce product dilapidation, also.

北京铭晟嘉业电子科技有限公司

电话 : 010-84505057 / 84505776

传真 : 010-84505019

电子邮件 : [SMI@bjefe.com](mailto:SMI@bjefe.com)

Beijing EFE Electronic Technology Co., Ltd

Tel: 010-84505057 / 84505776

Fax: 010-84505019

网址 : [www.bjefe.com](http://www.bjefe.com)